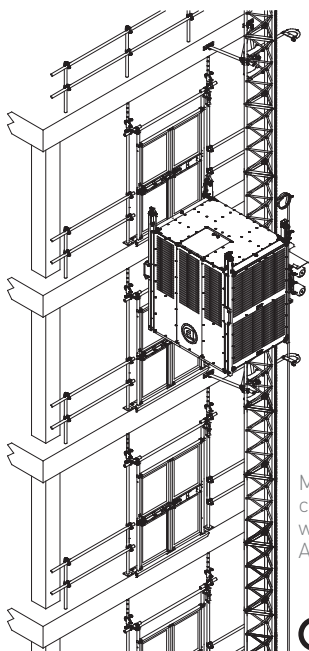
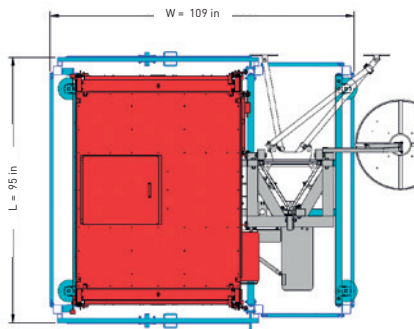


DATA SHEET EPM 1000

Installation dimensions



Mast compatible with other Alba hoists



CPU and automatic floor management



Overspeed parachute with auto-recovery system



Landing levels call system



Auxiliar catwalk for anchorage assembly



SAFETY DEVICES INCLUDED AND OPTIONS

INCLUDED OPTION

GENERALS

Gearmotors with electromechanical brake	✓
Overspeed parachute, with auto-recovery system	✓
Emergency lowering lever	✓
Cage doors with mechanical / electrical interlock	✓
Landing doors with mechanical / electrical interlock	✓
Base enclosure according to EN-12159	✓
Hoist control display with signaling LEDs:	✓
- Cage door open	
- Landing door open	
- End of mast	
- Upper/lower endtrack	
- Aux. Crane interfering	
- Last 2 m Zone	
- Overspeed parachute	
- Cage overload	
- Motor overheat fault	
- Hoist free / busy	
Automatic floor management	✓
Buffers at the ground base	✓
Hoist control CPU, with event log	✓
Upper/lower endtrack limit switch	✓
Safety endtrack limit switches	✓
Overload detection device	✓
Mast presence switch	✓
Last mast without rack	✓
Aux. catwalk for anchorage assembly	✓
Aux. crane for mast assembly	✓
Motors with brake wear signal	✓
Cage floor of non-slipping galvanized steel	✓
Movement warning horn	✓
Phase control	✓
Emergency stop	✓
Emergency exit, accessible roof with safety railing	✓
Landing levels call system	✓
Parachute test remote control and mast assembly	✓
Operator aux. external cage	✓
Automatic greaser	✓

TECHNICAL FEATURES

	EPM 1000	EPM 1000V
Motor control	DIRECT	FREQ. CONVERTER
Vertical speed	66 ft/min	108 ft/min
Maximum capacity	11 pax / 2,350 lb	
Cage gross inner dimensions (LxWxH)	10' 6" x 4' 7" x 6' 11"	
Net inner dimensions (LxW)	5' 11" x 4' 7"	
Maximum height	400 ft	
Anchorage each (max.)	20 ft	
Height over last anchorage	5 ft	
First anchorage height	20 ft	
Loading height-to-ground	2 ft	
Maximum load (assembly)	1,000 lb	
Noise emission value	<70 dB	
Regulations reference	ANSI A10.4 / CSA Z185	

ELECTRICAL DATA

	EPM 1000	EPM 1000V
Motor power	2 x 3.6 kW (60Hz)	
Input power connection	220 V – 60 Hz	380 ÷ 480 V – 50/60 Hz
Power consumption	7,2 kW	15 kW
Nominal current	28 A	40 A
Supply power	20 kVA	30 kVA
Overload protection	4 x 40 A	4 x 63 A
Differential protection Calibration Sensitivity	40 A 300 mA	63 A 300 mA
Control voltage	48 V	
Auxiliar handtools socket	230 V – 50/60 Hz 1200 W	
Cable section	4 x AWG 8	

MAST SECTION



Triangle mast
Length: 59.4 in
Weight: 106 lb

Mast compatibility: (see p.20)
Mast climber: PEC 120
Material hoist: MC 1000
Transport platform: PT 1200